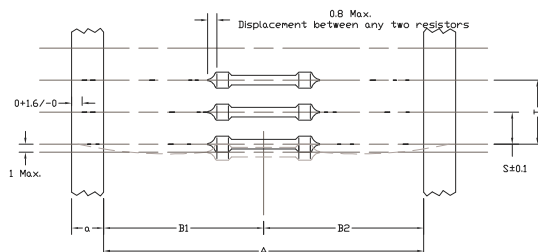


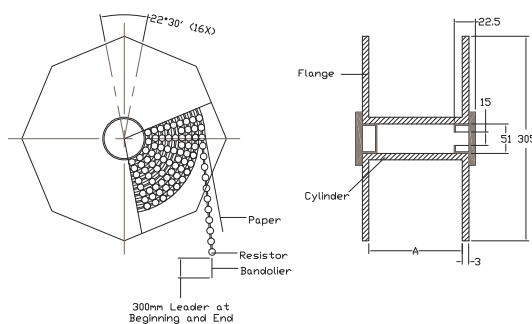
Dimensions and Construction



Dimensions (Millimeters)

| Type | 26mm Taping | | | 52mm Taping | | | 73mm Taping | | | 91mm Taping | | | T (max. deviation of spacing) |
|------|-------------|------------|-----------|-------------|------------|-----------|-------------|------------|------------|-------------|------------|-------------|--|
| | a | A | S | a | A | S | a | A | S | a | A | S | |
| MF | 6.0 ± 0.5 | 26.0 ± 1.0 | 5.0 ± 1.0 | 6.0 ± 0.5 | 52.0 ± 1.0 | 5.0 ± 1.0 | 6.0 ± 0.5 | 73.0 ± 1.5 | 10.0 ± 1.0 | - | - | - | 1mm per 10 spacings 0.5 mm per 5 spacings |
| CF | 6.0 ± 0.5 | 26.0 ± 1.0 | 5.0 ± 1.0 | 6.0 ± 0.5 | 52.0 ± 1.0 | 5.0 ± 1.0 | 6.0 ± 0.5 | 73.0 ± 1.5 | 10.0 ± 1.0 | - | - | - | |
| MO | 6.0 ± 0.5 | 26.0 ± 1.0 | 5.0 ± 1.0 | 6.0 ± 0.5 | 52.0 ± 1.0 | 5.0 ± 1.0 | 6.0 ± 0.5 | 73.0 ± 1.5 | 10.0 ± 1.0 | 6.2 ± 0.5 | 91.0 ± 1.0 | 10.16 ± 1.0 | |
| KNP | - | - | - | 6.0 ± 0.5 | 52.0 ± 1.0 | 5.0 ± 1.0 | 6.0 ± 0.5 | 73.0 ± 1.5 | 10.0 ± 1.0 | 6.0 ± 0.5 | 91.0 ± 1.0 | 10.0 ± 1.0 | |
| JW | - | - | - | 6.0 ± 0.5 | 52.0 ± 1.0 | 5.0 ± 1.0 | - | - | - | - | - | - | |
| Z | 6.0 ± 0.5 | 26.0 ± 1.0 | 5.0 ± 1.0 | 6.0 ± 0.5 | 52.0 ± 1.0 | 5.0 ± 1.0 | - | - | - | - | - | - | |
| FM | 6.0 ± 0.5 | 26.0 ± 1.0 | 5.0 ± 1.0 | 6.0 ± 0.5 | 52.0 ± 1.0 | 5.0 ± 1.0 | 6.0 ± 0.5 | 73.0 ± 1.5 | 10.0 ± 1.0 | - | - | - | |
| FSR | - | - | - | 6.0 ± 0.5 | 52.4 ± 1.5 | 5.0 ± 1.0 | 6.0 ± 0.5 | 73.0 ± 1.5 | 10.0 ± 1.0 | - | - | - | |
| FP | 6.0 ± 0.5 | 26.0 ± 1.5 | 5.0 ± 1.0 | 6.0 ± 0.5 | 52.0 ± 1.0 | 5.0 ± 1.0 | 6.0 ± 0.5 | 73.0 ± 1.5 | 5.0 ± 1.0 | - | - | - | |
| MGH | 6.0 ± 0.5 | 26.0 ± 1.5 | 5.0 ± 1.0 | 6.0 ± 0.5 | 52.4 ± 1.5 | 5.0 ± 1.0 | 6.0 ± 0.5 | 73.0 ± 1.5 | 10.0 ± 1.0 | - | - | - | |
| MGP | 6.0 ± 0.5 | 26.0 ± 1.5 | 5.0 ± 1.0 | 6.0 ± 0.5 | 52.4 ± 1.5 | 5.0 ± 1.0 | 6.0 ± 0.5 | 73.0 ± 1.5 | 10.0 ± 1.0 | - | - | - | |
| KNH | - | - | - | 6.0 ± 0.5 | 52.4 ± 1.5 | 5.0 ± 1.0 | 6.0 ± 0.5 | 73.0 ± 1.5 | 10.0 ± 1.0 | - | - | - | |
| FWW | - | - | - | 6.0 ± 0.5 | 52.4 ± 1.5 | 5.0 ± 1.0 | 6.0 ± 0.5 | 73.0 ± 1.5 | 10.0 ± 1.0 | 6.0 ± 0.5 | 91.0 ± 1.0 | 10.0 ± 1.0 | |

Dimensions and Construction

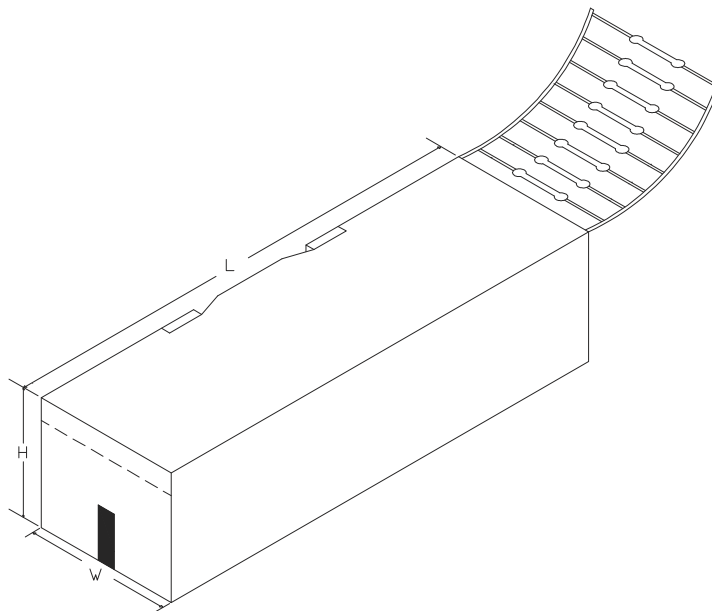


Dimensions (Millimeters)

| Type | | Quantity Per Reel (Pcs) | Across Flange (A) | | |
|--------|------------|-------------------------|-------------------|-------------|--------------|
| Normal | Small Size | | 26mm Taping | 52mm Taping | 73 mm Taping |
| MF50 | MF55SS | 5000 | - | 72 | - |
| MF55 | MF60SS | 5000 | | 72 | |
| MF60 | - | 1000 / 3000 | | 72 | 95 |
| MF70 | - | 1000 / 2000 | | - | 95 |
| MF75 | - | 1000 | | - | 95 |

| Type | | Quantity Per Reel (Pcs) | Across Flange (A) | | | |
|-----------|------------|-------------------------|-------------------|--------------|---------------|----|
| Normal | Small Size | | 26mm Tapping | 52mm Tapping | 73 mm Tapping | |
| CF1/6 | CF1/4SS | 5000 | - | 72 | - | |
| CF1/4 | CF1/2SS | | | 72 | | |
| CF1/2 | CF1SS | 3000 | | 72 | | |
| CF1 | CF2SS | 1000 / 3000 | | 72 | | |
| CF2 | - | 1000 / 2000 | | - | | 95 |
| CF3 | - | 1000 | | - | | 95 |
| MO1/4 | MO1/2SS | 5000 | - | 72 | - | |
| MO1/2 | MO1SS | 3000 | | 72 | | |
| MO1 | MO2SS | 2000 | | 72 | | 95 |
| MO2 | MO3SS | 1000 | | - | | 95 |
| MO3 | - | | | - | | 95 |
| MO5 | MO5SS | 500 | | - | | 95 |
| KNP1/4 | KNP1/2SS | 5000 | - | 72 | - | |
| KNP1/2 | KNP1SS | 3000 | | 72 | | |
| KNP1 | KNP2SS | 2000 | | 72 | | 95 |
| KNP2 | KNP3SS | 1000 | | 72 | | 95 |
| KNP3 | - | | | - | | 95 |
| Z16 / Z25 | - | 5000 | | 40 | | 75 |
| FM50 | FM55SS | 5000 | 48 | 72 | - | |
| FM55 | FM60SS | 5000 | 48 | 72 | | |
| FM60 | - | 3000 | - | 72 | | |
| FM65 | - | 2000 | - | - | | 95 |
| FM70 | - | 1000 | - | - | | 95 |
| FP1/6 | FP1/4SS | 5000 | 48 | 72 | | - |
| FP1/4 | FP1/2SS | 5000 | 48 | 72 | | |
| FP1/2 | - | 3000 | - | 72 | | |
| FP1 | - | 1000 | - | - | 95 | |
| FP2 | - | 1000 | - | - | 95 | |
| MGH1/4 | - | 5000 | 48 | 72 | - | |
| MGH1/2 | - | 2500 | - | 72 | | |
| - | MGH1SS | 2500 | | 72 | | |
| MGH1 | - | 1000 | | - | | 95 |
| MGP1/4 | - | 5000 | 48 | 72 | | - |
| - | MGP1/2SS | 5000 | 48 | 72 | | |
| MGP1/2 | - | 2500 | - | 72 | | |
| MGP1 | - | 2000 | - | - | 95 | |
| MGP2 | - | 1000 | - | - | 95 | |
| KNH1 | - | 5,000 | - | 72 | - | |
| KNH2 | - | 2,500 | | 72 | | |
| KNH3 | - | 2,000 | | - | | 95 |
| KNH4 | - | 1,000 | | - | | 95 |

Dimensions and Construction



Dimensions (Millimeters)

| Type | | NO. OF UNITS | 26MM TAPING | | | 52MM TAPING | | | 73MM TAPING | | | 91MM TAPING | | |
|--------|------------|--------------|-------------|---|---|-------------|----|-----|-------------|-----|----|-------------|---|---|
| Normal | Small Size | | L | W | H | L | W | H | L | W | H | L | W | H |
| KNH2 | - | 2,500 | - | - | - | 260 | 81 | 104 | - | - | - | - | - | - |
| KNH3 | - | 2,000 | - | - | - | - | - | - | 260 | 103 | 78 | - | - | - |
| KNH4 | - | 1,000 | - | - | - | - | - | - | 260 | 103 | 94 | - | - | - |

Dimensions (Millimeters)

| Type | | Pcs /Per Bag | Pcs /Per Box |
|----------------------------------|-------------------|--------------|--------------|
| Normal | Small Size | | |
| KNP6 , KNP7 , KNP8 , KNP10 | - | 50 | 200 |
| JW55 , JW56 , JW57 , JW58 , JW60 | - | - | 10,000 |
| SQP2 , SQP3 , SQP5 | - | 50 | 500 |
| SQP7 , SQP10 , SQP15 | - | 50 | 200 |
| SQP20 , SQP25 | - | 25 | 100 |
| SQM2 , SQM3 , SQM5 | - | 50 | 500 |
| SQM7 | - | 50 | 400 |
| SQM10 | SQM10SS , SQM15SS | 50 | 200 |
| SQZ5 , SQZ7 , SQZ10 | - | 50 | 200 |
| SQZ15 , SQZ20 | - | 25 | 100 |
| SQH10 , SQH15 , SQH12 | - | - | 30 |
| SQH13 , SQH14 , SQH15 | - | - | 20 |

*For other products, packaging quantity varies with order quantity. Please consult factory.